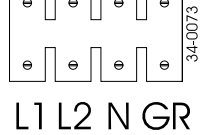
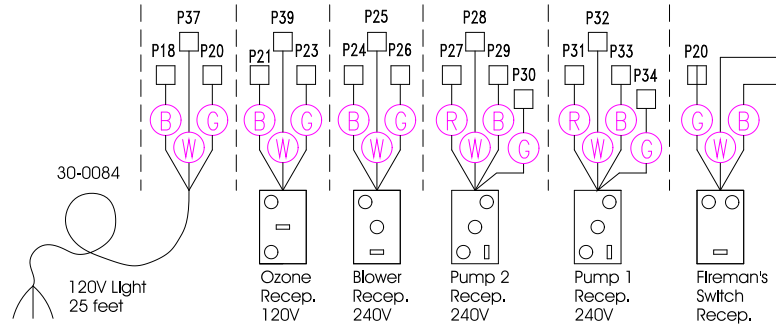
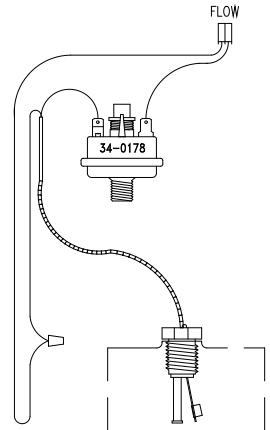
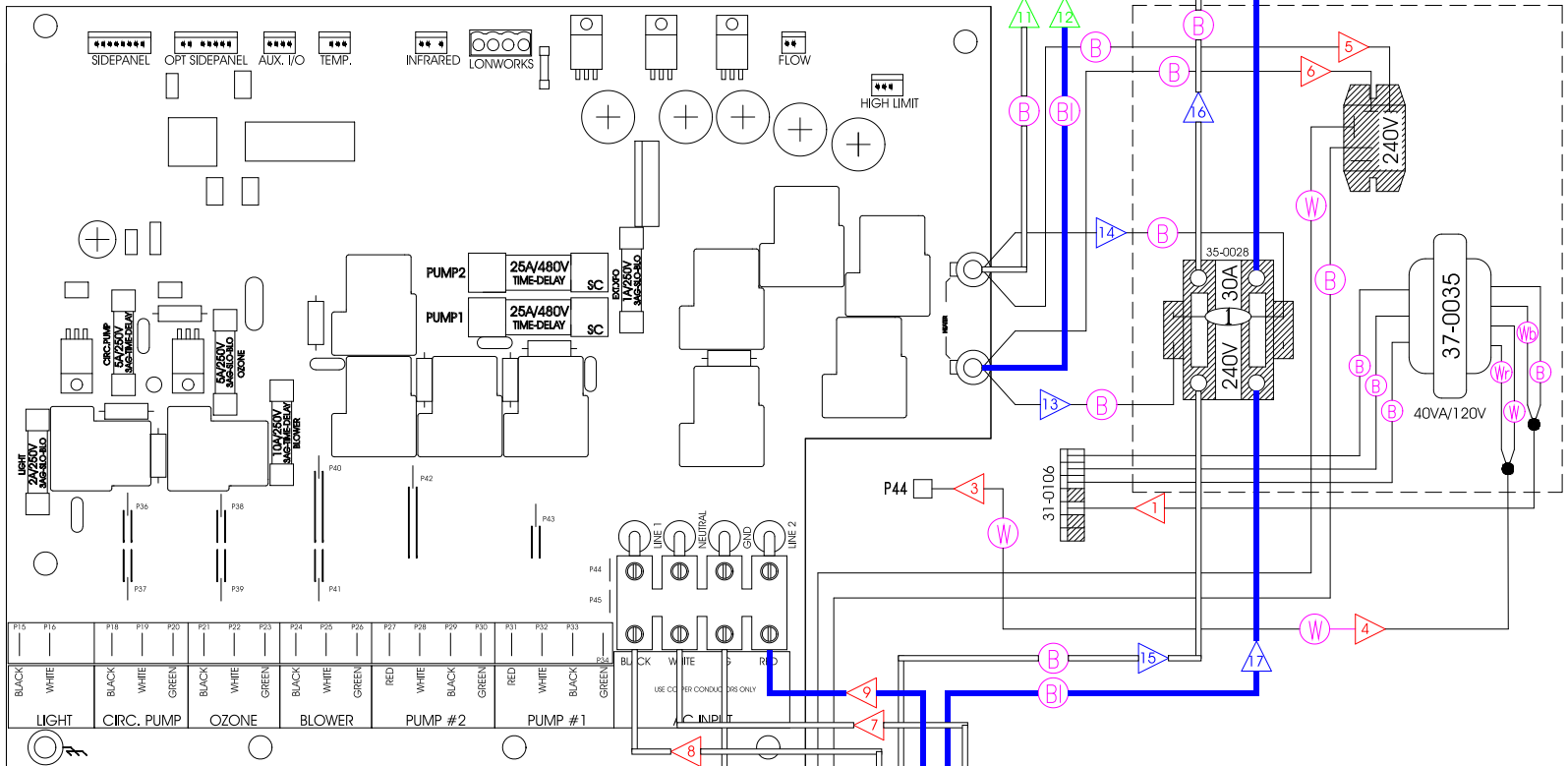


33-0025-R5

26-0054
11kW Heater

Parts located inside the dotted line are located behind PCB.



LEGEND	
	- 1/4" QUICK CONNECT
	- 1/4" PIGGYBACK
	- FORK CONNECTOR
	- RING CONNECTOR
	- SOCKET CONNECTOR
	- PIN CONNECTOR

HYDROQUIP
13345 Estelle St.
Corona, CA 92879
Phone: (909) 273-7575 Fax: (800) 332-7190

Manufacture Notes: on Contactor indicates capacitor.

SHADED COMPONENTS ARE 240V

Dwg. No.: D222AH-HKPQY-J	Drawn By: WR	Rev. 21
Reviewed By:	Date: 04/18/03	
	Diagram No.:	5100

Wire Color Code	
B - Black	G - Green
Br - Brown	Bl - Blue
R - Red	V - Violet
O - Orange	W - White
Y - Yellow	Gr - Gray